

PARAGON KILN MODELS A-66B, A-66, AA-6B and AA-6 WIRING DIAGRAMS AND PARTS IDENTIFICATIONS

WHEN ORDERING PARTS,
ALWAYS SPECIFY
MODEL NUMBER,
REFERENCE NUMBER,
PART NUMBER,
AND DESCRIPTION

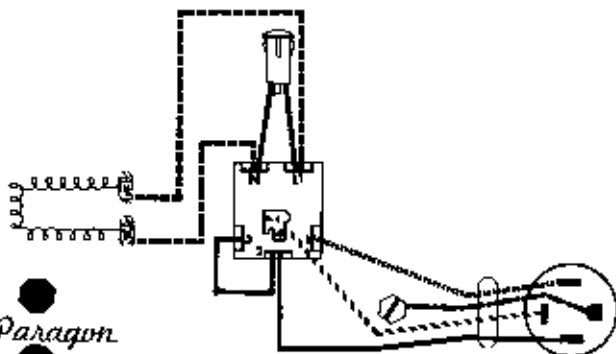
For prices of parts, see your current
Paragon Kiln Catalog Price List.
All prices are F.O.B. factory, Dallas County, Texas
and are subject to change without notice.

The models available for the CSA label
have the kiln wiring terminated in a
special box on the kiln for stationary installation.

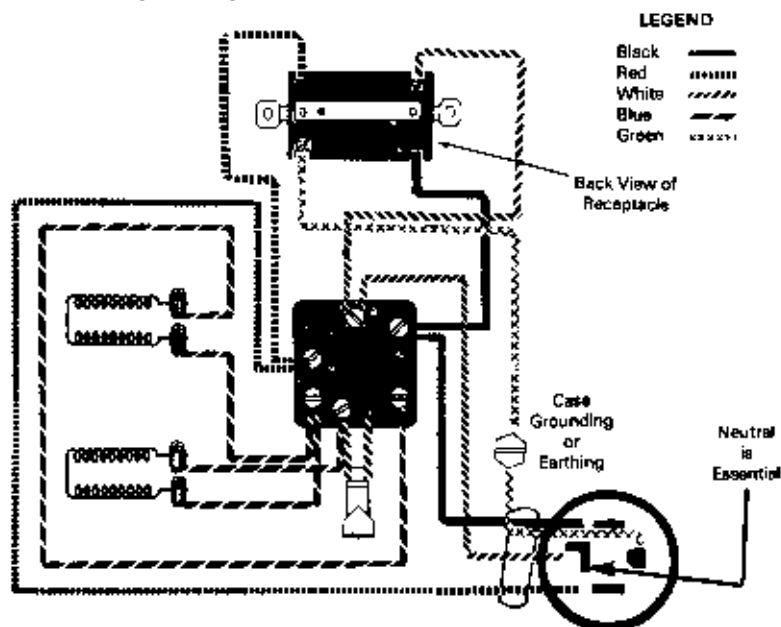
**MERCHANDISE TO BE SHIPPED TO ONE ADDRESS
ON ONE ORDER MUST TOTAL \$5.00 BEFORE
THE POSTAGE AND HANDLING CHARGES ARE ADDED**

The letter "B" following the Model Number
means the kiln has a stainless steel jacket.

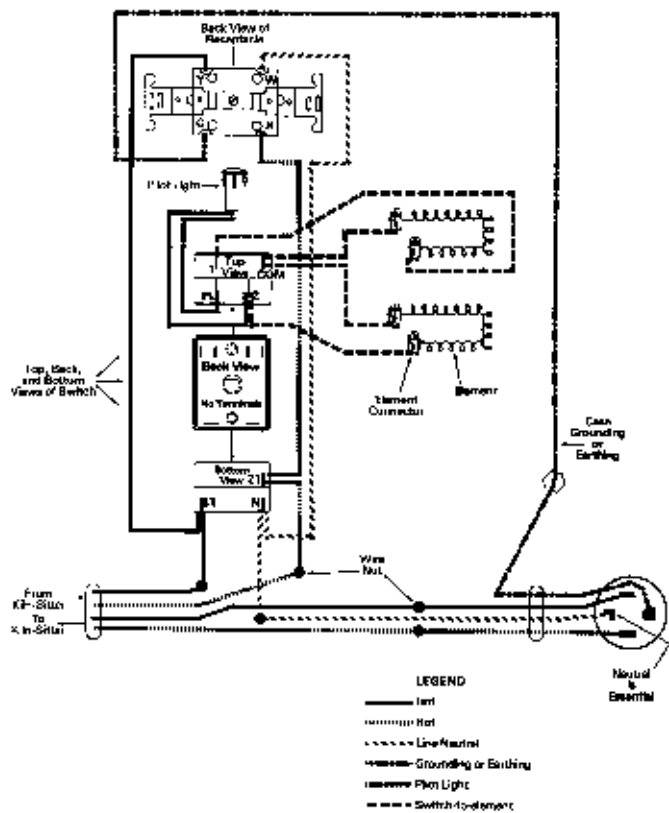
Extension Collars AA-6B and AA-6



MODELS A-66B and A-66 (4-way Rotary Switch With Screw-on Terminals)



MODELS A-66B and A-66 (4-way Rotary Switch With Push-on Terminals)



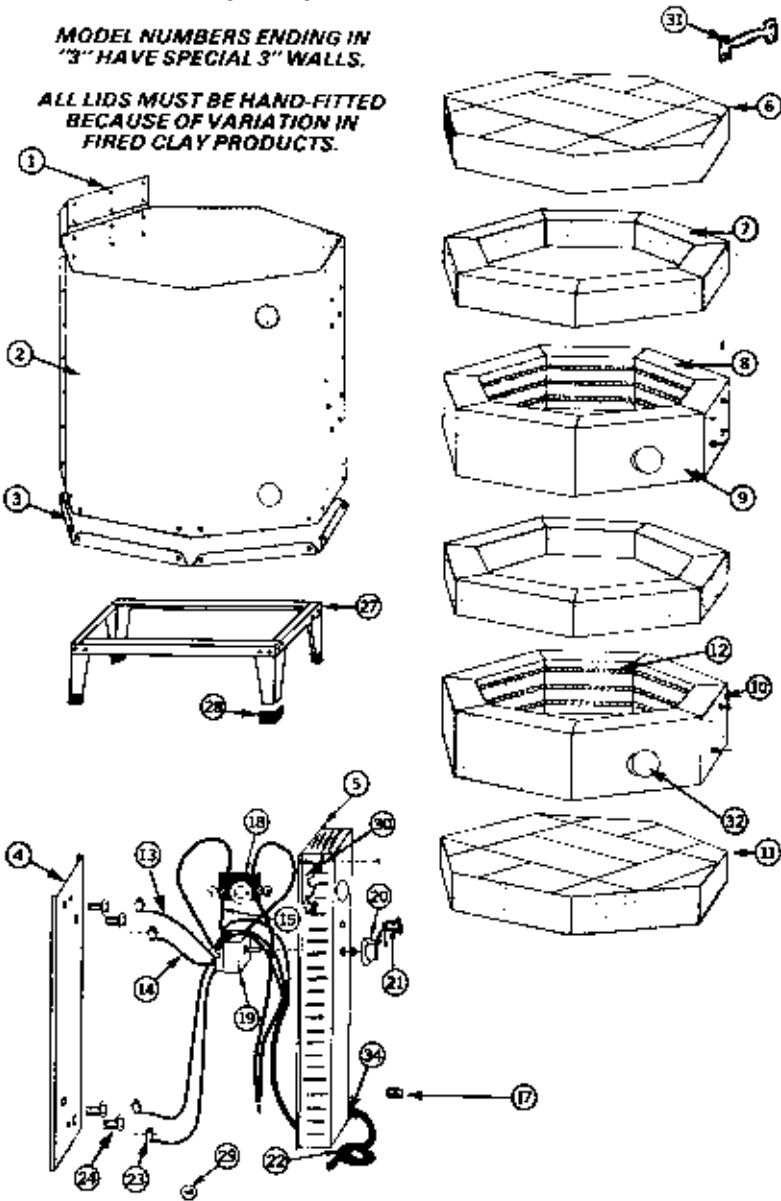
PARAGON MODELS A-66B, A-66B-3

Specify complete model number when ordering
insulating firebrick, metal jacket parts, and elements.

REF. NO.	PART NO.	DESCRIPTION
METAL JACKET PARTS		
1.	Specify Model	Hinge, complete, gray
2.	Specify Model	Form-Fitted Jacket, stainless
3.	Specify Model	Full-Formed Steel Base
4.	Specify Model	Heat Shield
5.	Specify Model	Ventilated Switch Box, metal only, gray
INSULATING FIREBRICK		
6.	Specify Model	Brick Lid with Band, stainless, less hardware
7.	Specify Model	2" Plain Wall Brick
8.	Specify Model	4" Straight Grooved Wall Brick
9.	Specify Model	4" Peephole Wall Brick
10.	Specify Model	4" Terminal Wall Brick
11.	Specify Model	Brick Bottom, only
ELECTRICAL PARTS		
12.	EL-A-66	Heating Element for A-66B, A-66, A-66S, B-66S, A-66S-B
	or	
13.	EL-A-66-3	Heating Element for A-66B-3
	WR-2	#14 Switch-to-Element Lead Wires, screw-on eyelet both ends
	or	
	WR-4	#14 Switch-to-Element Lead Wires, push-on terminal one end
14.	WR-14	#14 Double Switch-to-Element Lead Wires, push-on terminal one end
15.	WR-12	Receptacle-to-Switch Connecting Wires, screw-on eyelet both ends
	or	
	WR-13	Receptacle-to-Switch Connecting Wires, push-on terminal one end
16.	WR-11	Sitter-to-Switch Box Jumper Wires, for kilns equipped with kiln sitter (not shown)
17.	MS-4	Small Wire Connector
18.	RC-1	Receptacle, 4-wire, 20 amp., 125/250 v. for kiln's switch box
19.	SW-4	Switch, 26 amp. A-21 4-way Rotary for push-on terminals
20.	KN-3	Knob for 4-way Rotary Switch A-21, silver center
21.	MS-7	Pilot Light with Lead Wires, eyelet terminals
	or	
	MS-8	Pilot Light with Lead Wires, push-on terminals
22.	CR-10	10-4, 30 amp., 240 v., 7 ft. cord with 4-prong plug
23.	MS-6	Element Connectors
24.	MS-1	Porcelain Insulators
OTHER REPLACEMENT PARTS		
25.	HW-1	Lock-in Lid Support, for A-series (7 B & B sides)
26.	HW-6	Hand Lifts for A-series
27.	ST-2	Kiln Stand
28.	ST-1	Plastic Feet, only
29.	HW-8	#8 Plated Metal Screws
30.	HW-7	Fall Away Prop-R-Vent Kit
31.	HW-4	Lid Handle, for small A-series (8 sided or less)
32.	PL-2	Peephole Plug, Cone Shaped for A-series
33.	Specify Model	Conduit for Kiln Sitter Wires (not shown)
34.	Specify Model	Cord Clamp

MODEL NUMBERS ENDING IN "3" HAVE SPECIAL 3" WALLS.

ALL LIDS MUST BE HAND-FITTED BECAUSE OF VARIATION IN FIRED CLAY PRODUCTS.



PARAGON COLLARS AA-6B, AA-6B-3

1.	Specify Model	Hinge, lower half, gray
2.	Specify Model	Form-Fitted Jacket, stainless
3.	Specify Model	4" Straight Grooved Wall Brick
4.	Specify Model	2" Straight Grooved Wall Brick
5.	EL-A-AA6	Heating Element for AA-6B, AA-6
	or	
	EL-A-AA6-3	Heating Element for AA-6B-3
6.	Specify Model	2" Terminal Wall Brick
7.	Specify Model	4" Terminal Wall Brick
8.	Specify Model	4" Peephole Wall Brick
9.	PL-2	Peephole Plug, Cone Shaped for A-series
10.	Specify Model	Heat Shield
11.	MS-1	Porcelain Insulators
12.	MS-6	Element Connectors
13.	WR-2	#14 Switch-to-Element Lead Wires, screw-on eyelet both ends
14.	WR-8	Switch-to-Switch Connecting Wires, screw-on eyelet both ends
15.	SW-3	Switch, 20 amp. 3-way Rotary
16.	Specify Model	Ventilated Switch Box, metal only, gray
17.	KN-5	Knob for 3-way Rotary Switch, silver center
18.	MS-7	Pilot Light with Lead Wires, eyelet terminals
19.	CR-7	14-4, 240 v., 3 ft. cord, with 4-prong plug for extension collar
20.	HW-8	#8 Metal Screws

