

PARAGON KILN MODELS

A-82B, A-82B-3, A-81-B, A-88B, AA-8B and AA-8B-3

WIRING DIAGRAMS AND PARTS IDENTIFICATIONS

WHEN ORDERING PARTS, ALWAYS SPECIFY MODEL NUMBER, REFERENCE NUMBER, PART NUMBER, AND DESCRIPTION

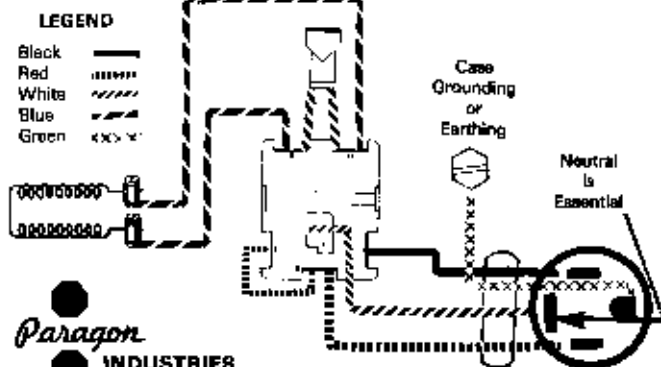
For prices of parts, see your current Paragon Kiln Catalog Price List. All prices are F.O.B. factory, Dallas County, Texas and are subject to change without notice.

The models available for the CSA label have the kiln wiring terminated in a special box on the kiln for stationary installation.

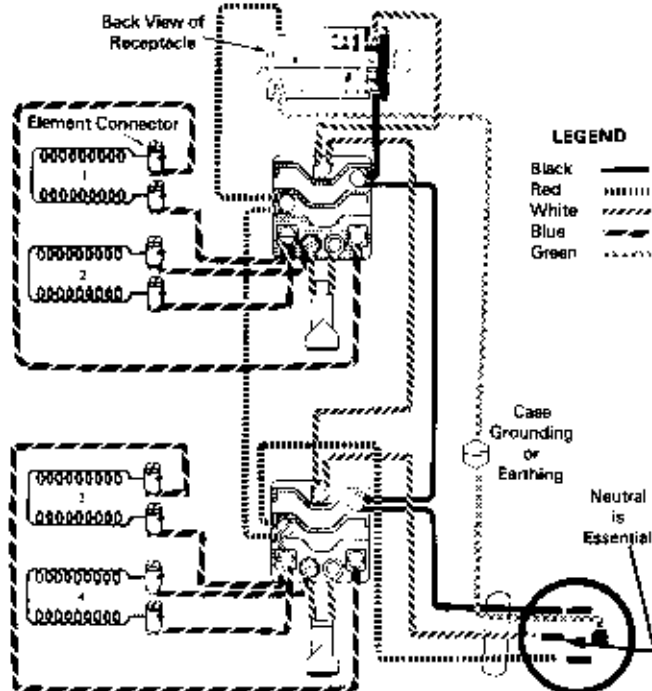
MERCHANDISE TO BE SHIPPED TO ONE ADDRESS ON ONE ORDER *MUST TOTAL \$5.00* BEFORE THE POSTAGE AND HANDLING CHARGES ARE ADDED.

Model Numbers ending in "3" have special 3" walls. The letter "B" following the Model Number means the kiln has a stainless steel jacket.

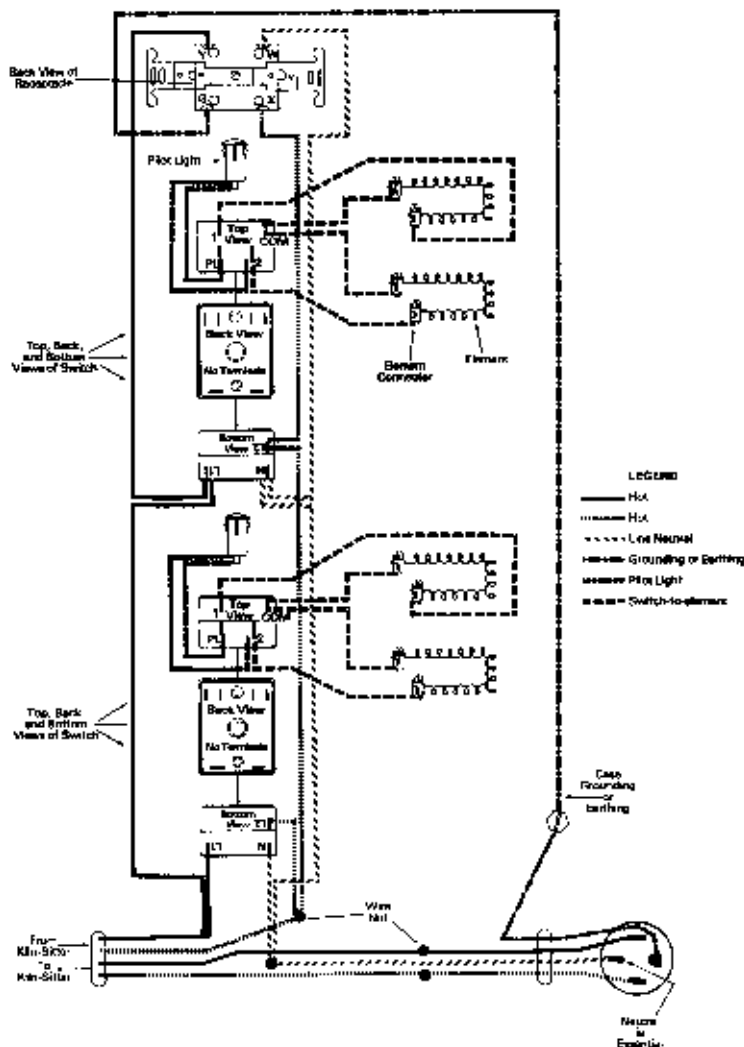
EXTENSION COLLARS AA-8B, AA-8B-3, and AA-8



MODELS A-82B, A-81B, A-88B and A-88 (4-way Rotary Switch With Screw-on Terminals)



MODELS A-82B, A-82B-3, A-81B, A-88B and A-88 (4-way Rotary Switch with Push-on Terminals)



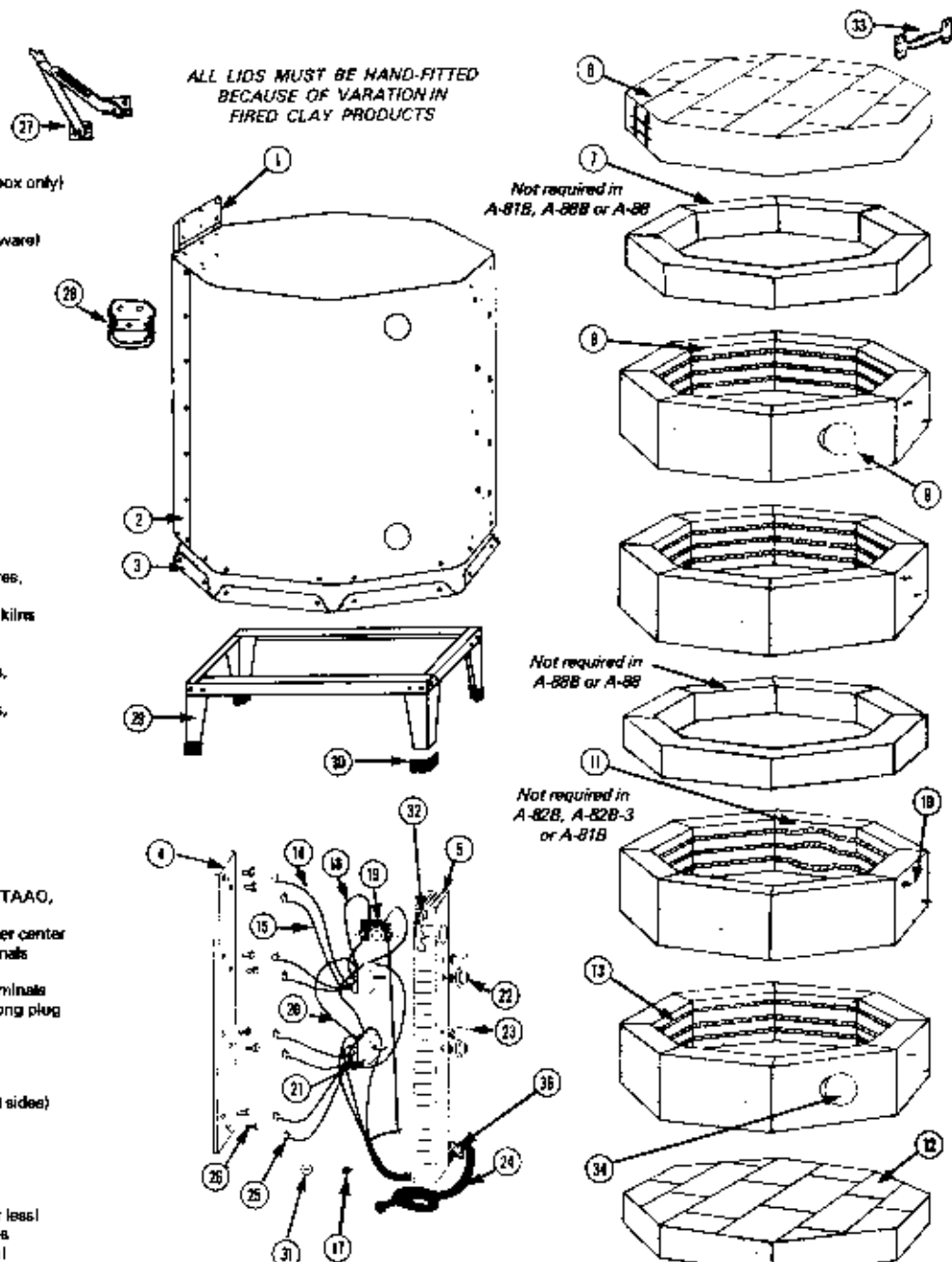
Paragon
INDUSTRIES
BOX 808
MESQUITE, TEXAS 75149 - 0170

Specify complete model number when ordering insulating firebrick, metal jacket parts, and elements.

A-82B, A-82B-3, A-81B, A-88B and A-88

REF. NO.	PART NO.	DESCRIPTION
METAL JACKET PARTS		
1.	Specify Model	Hinge, complete, gray or brown
2.	Specify Model	Form-Fitted Jacket, stainless
3.	Specify Model	Full-Formed Steel Base
4.	Specify Model	Heat Shield
5.	Specify Model	Ventilated Switch Box, gray or brown (box only)
INSULATING FIREBRICK		
6.	Specify Model	Brick Lid with Band, stainless (less hardware)
7.	Specify Model	2" Plain Wall Brick
8.	Specify Model	4" Straight Grooved Wall Brick
9.	Specify Model	4" Peephole Wall Brick
10.	Specify Model	4" Terminal Wall Brick
11.	Specify Model	4" Kiln-Sitter Wall Brick
12.	Specify Model	Brick Bottom, only
ELECTRICAL PARTS		
13.	EL.A-82 or EL.A-88 or EL.A-82-3	Heating Element for A-82B, A-81B Heating Element for A-88B, A-88 Heating Element for A-82B-3
14.	WR-2 or WR-4	#14 Switch-to-Element Lead Wires, screw-on eyelet both ends #14 Switch-to-Element Lead Wires, push-on terminal one end
15.	WR-14	#14 Double Switch-to-Element Lead Wires, push-on terminal one end
16.	WR-11	Sitter-to-Switch Box Jumper Wires, for kilns equipped with kiln sitter (not shown)
17.	MS-5	Large Wire Connector
18.	WR-12 or WR-13	Receptacle-to-Switch Connecting Wires, screw-on eyelet both ends Receptacle-to-Switch Connecting Wires, push-on terminal one end
19.	RC-1	Receptacle, 4-wire, 20 amp., 125/250 v. for kiln's switch box
20.	WR-6 or WR-7	Switch-to-Switch Connecting Wires, screw-on eyelet both ends Switch-to-Switch Connecting Wires, push-on terminal both ends
21.	SW-4	Switch, 26 amp., A-21 4-way Rotary for push-on terminals
22.	KN-1 or KN-3	Knob for 4-way Rotary Switch TAAP or TAAO, black center Knob for 4-way Rotary Switch A-21, silver center
23.	MS-7 or MS-8	Pilot Light with Lead Wires, eyelet terminals Pilot Light with Lead Wires, push-on terminals
24.	CR-2	6-4, 50 amp., 240 v., 8 ft. cord with 4-prong plug
25.	MS-8	Element Connectors
26.	MS-1	Porcelain Insulators (1 1/8" long)
OTHER REPLACEMENT PARTS		
27.	HW-1	Lock in Lid Support for A-series (7 and 8 sided)
28.	HW-8	Hand Lifts for A-series
29.	ST-2	Kiln Stand
30.	ST-1	Plastic Feet, only
31.	HW-8	#8 Plated Metal Screws
32.	HW-7	Fall Away Prop-R-Vent Kit
33.	HW-4	Lid Handle, for small A-series (8-sided or less)
34.	PL-2	Peephole Plug, Cone Shaped for A-series
35.	Specify Model	Conduit for Kiln Sitter Wires (not shown)
36.	Specify Model	Cord Clamp

ALL LIDS MUST BE HAND-FITTED BECAUSE OF VARIATION IN FIRED CLAY PRODUCTS



INSULATING FIREBRICK PARTS ARE INTERCHANGEABLE AMONG MODELS A-82B, A-81B, A-88B and A-88, EXCEPT WHERE OTHERWISE INDICATED

AA-8B, AA-8B-3, and AA-8

1.	Specify Model	Hinge, lower half, gray or brown
2.	Specify Model	Form-Fitted Jacket, stainless
3.	Specify Model	4" Straight Grooved Wall Brick
4.	Specify Model	2" Straight Grooved Wall Brick
5.	EL.A-AA8 or EL.A-AA8-3	Heating Element for AA-8B, AA-8 Heating Element for AA-8B-3
6.	Specify Model	2" Terminal Wall Brick
7.	Specify Model	4" Terminal Wall Brick
8.	Specify Model	4" Peephole Wall Brick
9.	PL-2	Peephole Plug, Cone Shaped for A-series
10.	Specify Model	Heat Shield
11.	MS-1	Porcelain Insulators (1 1/8" long)
12.	MS-8	Element Connectors
13.	WR-2	#14 Switch-to-Element Lead Wires, screw-on eyelet both ends
14.	WR-6	Switch-to-Switch Connecting Wires, screw-on eyelet both ends
15.	SW-3	Switch, 20 amp., 3-way Rotary
16.	Specify Model	Ventilated Switch Box, gray or brown (box only)
17.	KN-2 or KN-5	Knob for 3-way Rotary Switch, black center Knob for 3-way Rotary Switch, silver center
18.	MS-7	Pilot Light with Lead Wires, complete
19.	CR-7	14-4, 240 v., 3 ft. Cord with 4-prong plug
20.	HW-8	#8 Plated Metal Screws

